

500W Xenon Light Source

—GLORIA-X500A

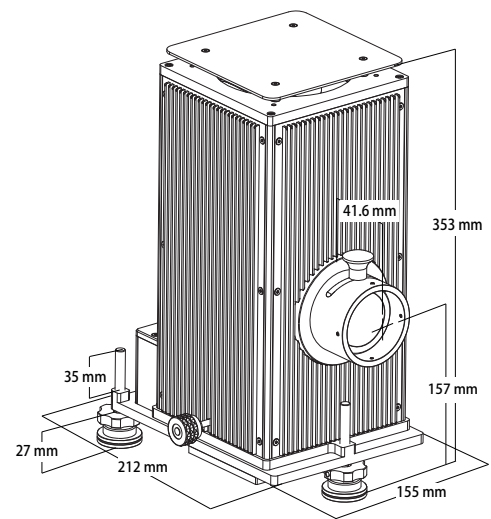
C500W Arc light housing expand to operates 350 W Xe and 500 W Hg(Xe) arc lamps under optimal and for these lamps necessary conditions. Switching between the lamps only requires changing the lamp adapter to position the lamp in the center of the housing.



- Spectral range from UV to VIS(200-2500nm)
- Optical axis height is 157-193mm
- A spherical reflector collects the output from the rear of the lamp and focuses it on or near the arc, for collection by the condenser.
- The output is increased by as much as 60 %
- Output beam diameter is 46mm
- Typical light ripple of our arc light sources is less than 1%.
- Supports wide range of accessories
- Fan cooled housing

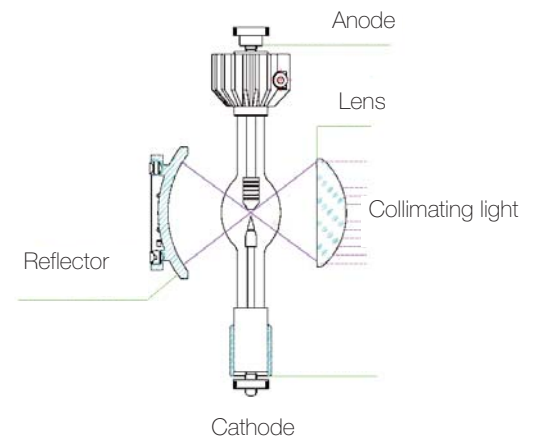
Xe arc lamp Light sources are the preferred artificial sources to simulate sunlight. The high color temperature(6000K) of the Xenon lamps is a close match to the solar temperature. This results in very similar solar spectra in the UV and VIS although the source has some Xe emissions lines in the near IR.

35mm137mm Application for luorescence, Luminescence and Phosphorescence,Absorbance and Reflectance,Photochemistry,Photolithography, Detection of optical Schlieren,Solar simulation



Cooling

Proper cooling is essential for correct lamp operation. The bulb temperature of arc lamps should not exceed 600 - 900°C ,because at higher temperatures the bulb is not able to withstand the high gas pressure due to a temperature-related change of the quartz structure (recrystallization). Because of potential current conductor oxidation, the socket temperature must not exceed 230°C .



Output beam

500W Xenon Light Source—GLORIA-X500A

Safety

Our lamp housings include safety features to prevent lamp damage and accidental exposure. A door interlock prohibits the operation of the lamp while the door is open. Overheating of the lamp caused by a defect is avoided by a thermal interlock which shuts down the power supply.

Ordering Information

To build a complete light source you will need:

Lamp housing, condensing optic, lamp with appropriate adapter, power supply, electrical interface and cable between lamp housing and power supply. As an option choose the rear reflector for more output.

Model	Description	Details
GLORIA-X500A	500W Xenon Light Source	500W Xenon Light Source(GLORIA-X500A) includes housing(LSH-X500A),power supply(LSPX500A) and Lamp (LSB-X500)

Lamp Sheet

Model	Power (W)	Current (A)	Voltage (V)	Luminous area(W x H)(mm)	Average life (h)	lamp size (Lx D) mm
LSB-GX500	500	25	20	1 × 2.7	1000	175 × 30
LSB-X500AOF	150	28	17	0.9 × 2.5	2000	190 × 35

Tips:

Xe and Hg(Xe) lamps are strong UV sources and emit dangerous levels of ultraviolet radiation. Exposure to UV,even for short periods, can cause severe skin and eye burns. Always wear protective eyewear and gloves or clothing, when working near these sources.