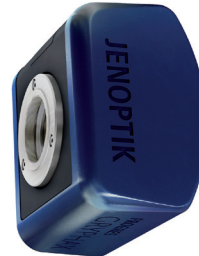




# PROGRES GRYPHAX<sup>®</sup> KAPELLA



## Technical data

Explore the micro universe –  
colored in low light & bright field.

### KEY FACTS

- Color microscope camera 2.3 MPix with 60 fps
- Pixel size 5.86 x 5.86  $\mu\text{m}$
- Full HD record at video speed
- Dynamic range 73.3 dB
- 1/1.2" SONY sensor (back-illuminated)
- Global shutter
- Software included

### SYSTEM REQUIREMENTS

Personal computer	Intel i7 (Quad-Core) processor or comparable / 8 GB RAM
Operating system	WIN 7 / 8 / 10   MAC El Capitan   LINUX Ubuntu 14.04 LTS
Data interface	USB 3.0 integrated, no extra power supply needed
Monitor resolution	3840 x 2160 pixel or higher
Software (included in the package)	PROGRES GRYPHAX <sup>®</sup> (64 bit operating systems only)

### IMAGE SENSOR

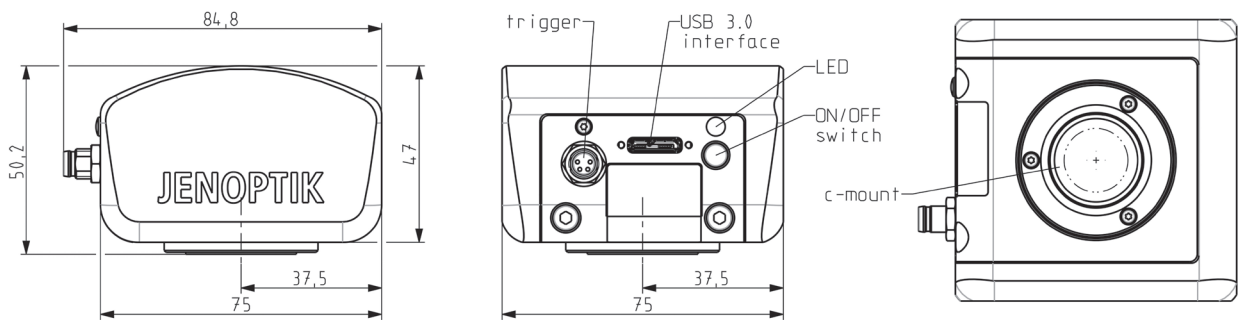
Type   square   utilised sensor diagonal	SONY back-illuminated CMOS   1/1.2"   13.27 mm
Pixel dimensions	5.86 x 5.86 $\mu\text{m}$
Color or monochrome	Color
Transfer method   shutter mode	All pixel scan   Global shutter
Full sensor resolution	1920 x 1200 pixel

### CAMERA

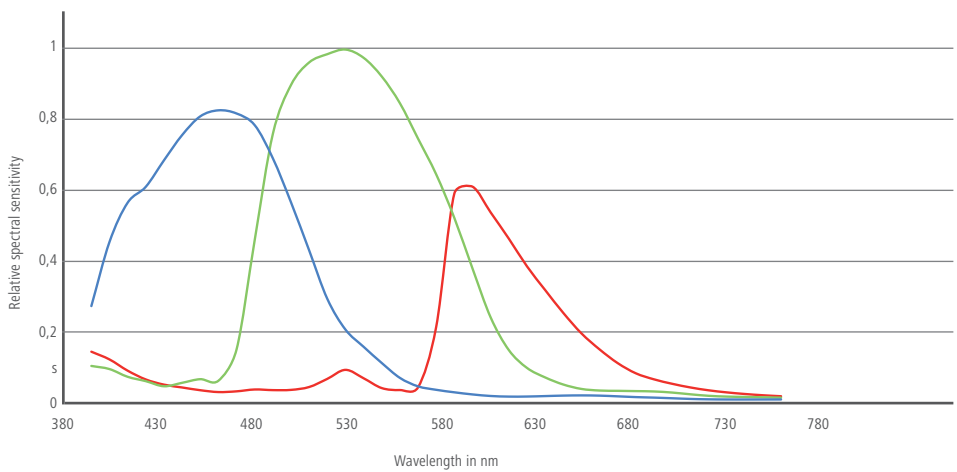
Camera resolution in LIVE mode	1920 x 1200 pixel (60 fps)
Camera resolution in RECORD mode	1920 x 1200 pixel
Camera resolution in VIDEO mode	1920 x 1080 pixel up to 60 fps
Exposure time min. - max.	6.42 $\mu\text{s}$ - 60 s
Gain	Max. 30
A/D conversion	12 bit (4096 grey values)
Absolute sensitivity threshold*	7.0 e-
Saturation capacity*	32.000 e-
Dynamic range*	73.3 dB

\*based on EMVA 1288 standard compliance guidelines

Filter	IR cut   optional clear-glass
Hardware trigger	OUT
Power switch	Yes
Optical interface	C-mount
Power consumption	Appr. 4.5 W
Dimensions	85 mm x 75 mm x 50 mm
Weight	Appr. 400 g
Storage options	-20°C up to +70°C
Operating temperature	+10°C up to +35°C non condensing
Warranty	24 months
CE conformity / RoHS conformity	Yes



MEASURED RELATIVE SPECTRAL SENSITIVITY\*:



PROGRES GRYPHAX® KAPELLA IS AN PREMIUM SOLUTION FOR:

- Life science
- Quality control
- Material science
- Forensics

\*based on EMVA 1288 standard compliance guidelines / effective spectral sensitivity on request