

Sirius™ Single-Section LED Ring Lights with 36mm Inside Diameters

(Part Numbers: SRL-Axxx-036)

PRODUCT DESCRIPTION

FEATURES

- ◆ Single color, white and IR
- ◆ Uniform illumination
- ◆ Custom working distances available
- ◆ Precision machined aluminum housing
- ◆ Multiple mounting features for lab and OEM applications
- ◆ Thread adapters available for camera lenses and microscope objectives

APPLICATIONS

- ◆ Machine vision
- ◆ Microscopy
- ◆ Displays
- ◆ Semiconductor equipment
- ◆ Testing instruments
- ◆ Medical instruments
Solar cell testing

Sirius LED ring light sources are designed as a universal light source for general lab use, microscopy, machine vision, and OEM applications. These ring lights emit uniform, high-intensity, and shadow-free illumination suitable for high-resolution imaging and pattern recognition. They can be operated in both steady-state mode and strobe mode. In addition to single-color and white models, Sirius series also includes RGB and near IR models. The RGB model enables independent control of intensities of three prime colors to generate illumination with any desired color. The near IR model provides illumination at 880nm for bio-medical and machine vision applications. The rugged low-profile housing is made of black anodized aluminum with multiple mounting holes. Mounting adaptors are available for common camera/video lenses and microscope objectives. Sirius ring lights can be driven by Mightex Sirius SLC-series multi-channel LED drivers or other LED drivers and current sources.



PERFORMANCE SPECIFICATIONS

Table 1. LED Ring Lights Specifications

Wavelength ($\pm 25\text{nm}$)	470, 530, 630, white, 880
Standard LED Type	$\varnothing 5\text{mm}$, 100,000 hours life
Working Distance (mm)	75 to 200
Working Current	560 mA
Working Voltage	12V
Dimensions (mm)	O.D.=91mm, I.D.=36mm, and height=34mm
Connector	Bare wires, 1 pair per color; length: 1.5 meters
Mounting	3x M4 holes; Thread adapters sold separately.

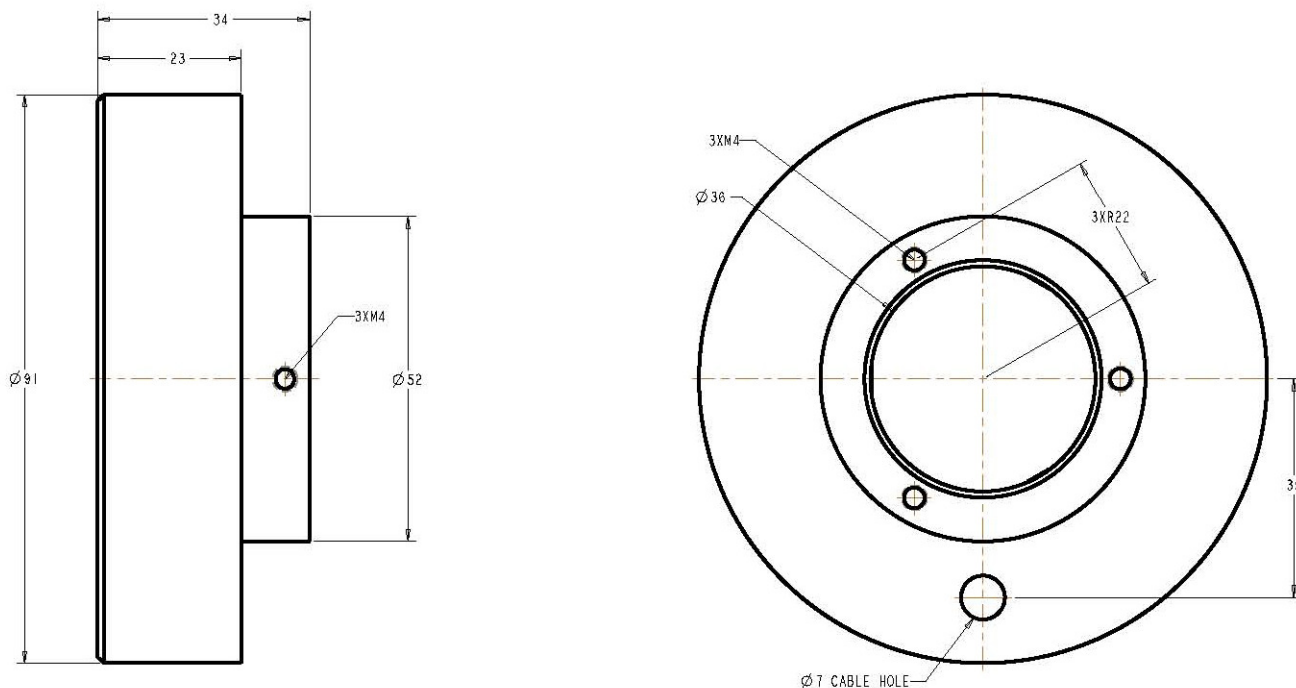
Table 2 Wire Connection

Wire Name	Wire Color	Pin #
LED+	Blue	1
LED-	Brown	2

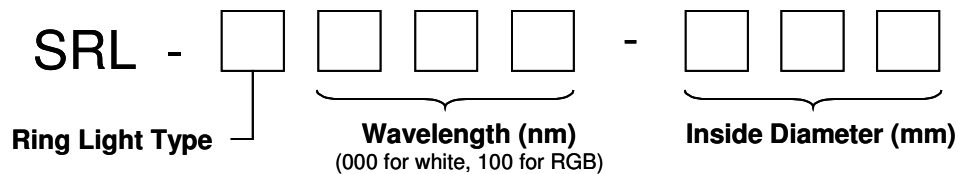
Sirius™ Single-Section LED Ring Lights with 36mm Inside Diameters

(Part Numbers: SRL-Axxx-036)

INSTALLATION DRAWING



PART NUMBER AND ORDERING INFORMATION



For customized solutions, please call 1-416-840 4991 or email sales@mightex.com for details.