

High-Power Fiber-Coupled LED Light Sources

(Part Numbers: FCS-xxxx-xxx)

FEATURES

- High output power
- Broad wavelength selections in VIS, UV and NIR
- SMA port for up to 1500 μ m fiber code
- Interchangeable fiber patchcords
- Compact, machined, metal housing with integrated heat sink
- Multiple mounting features for lab and OEM applications
- Locking electrical connector

APPLICATIONS

- Microscopy
- Fluorescence
- Sensors
- Medical imaging
- Semiconductor equipment
- Testing instruments
- Medical instruments
- Machine vision

PRODUCT DESCRIPTION

Mightex FCS-series fiber-coupled LED light sources employ the latest high-power LED technologies and a proprietary coupling optics to achieve maximum optical output power. Optical output is coupled into a fiber through a standard SMA fiber adaptor port (SMA fiber patch cords are sold separately). FCS series also features a locking electrical connector for secured connection. FCS series are designed as a universal light source for general lab use and OEM applications. The one-piece machined housing features multiple mounting holes. All Mightex LED drivers such as the SLC series or other LED drivers and current sources can be used to drive the light sources.

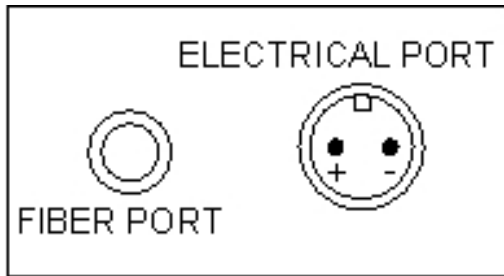


PERFORMANCE SPECIFICATIONS

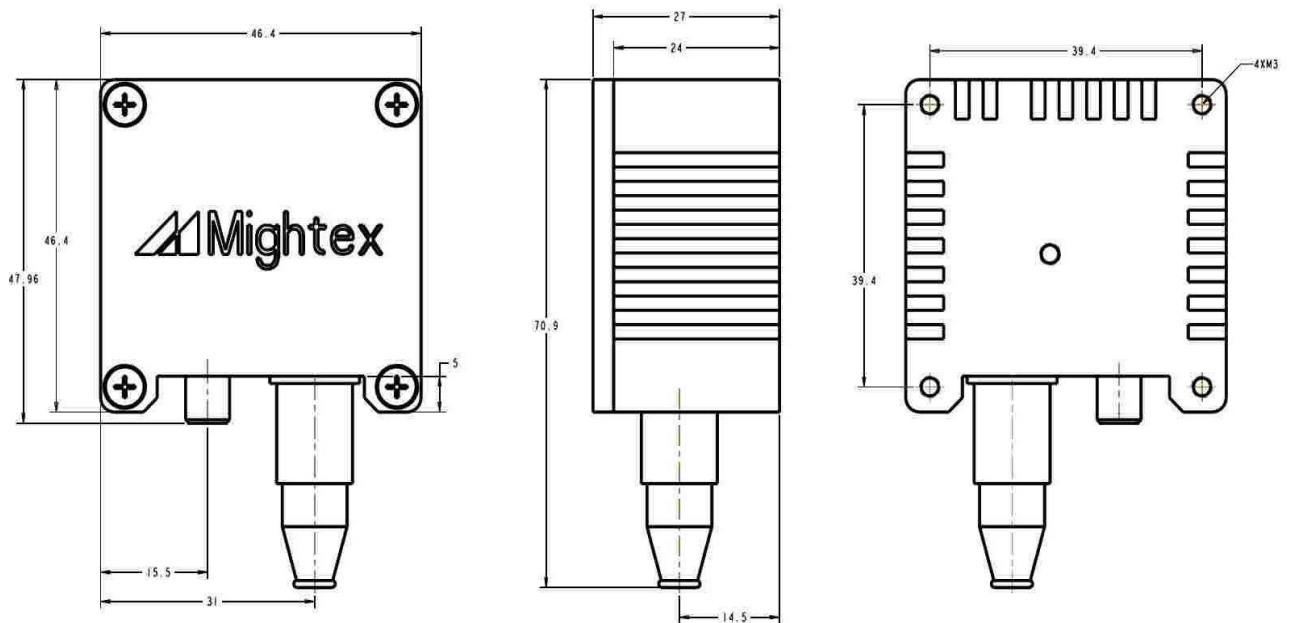
Wavelength Code	Description	Peak Wavelength (nm)	I _{op} (mA)	V _{op} (V)	Radiant Flux ¹ (mW)
0000	Cool White	5500K	1000	3.9	3.2
0001	Warm White	3400K	1000	3.9	3.2
0365	UV 365nm	365	500	3.8	3.1
0385	UV 385nm	385	500	3.8	3.4
0400	UV 400nm	400	350	3.5	0.8
0455	Royal Blue	455	1000	3.9	5.6
0470	Blue	470	1000	3.9	4.3
0505	Cyan	505	1000	3.9	1.0
0530	Green	530	1000	3.9	2.0
0590	Amber	590	1000	3.2	1.2
0617	Red-Orange	617	1000	3.0	6.5
0625	Red	625	1000	3.0	6.5
0657	Deep Red	657	350	2.4	1.0
0740	NIR	740	350	2.1	1.5
0850	NIR	850	1000	2.1	4.0
0940	NIR	940	1000	2.4	4.0

Note: * - With 400 μ m-core 0.22 numerical aperture (NA) fiber. Output optical power scales approximately linearly with fiber core area and NA².

ELECTRICAL PIN LAYOUT



INSTALLATION DRAWING



PART NUMBER AND ORDERING INFORMATION

FCS - - 000

Wavelength Code

For example, FCS-0470-000 is a 470nm fiber-coupled light source with SMA fiber adaptor.

With a world-class OEM design team, Mightex offers a broad range of customized solutions in order to meet individual customer's unique requirements. Please call 1-416-840 4991 or email sales@mightex.com for details.